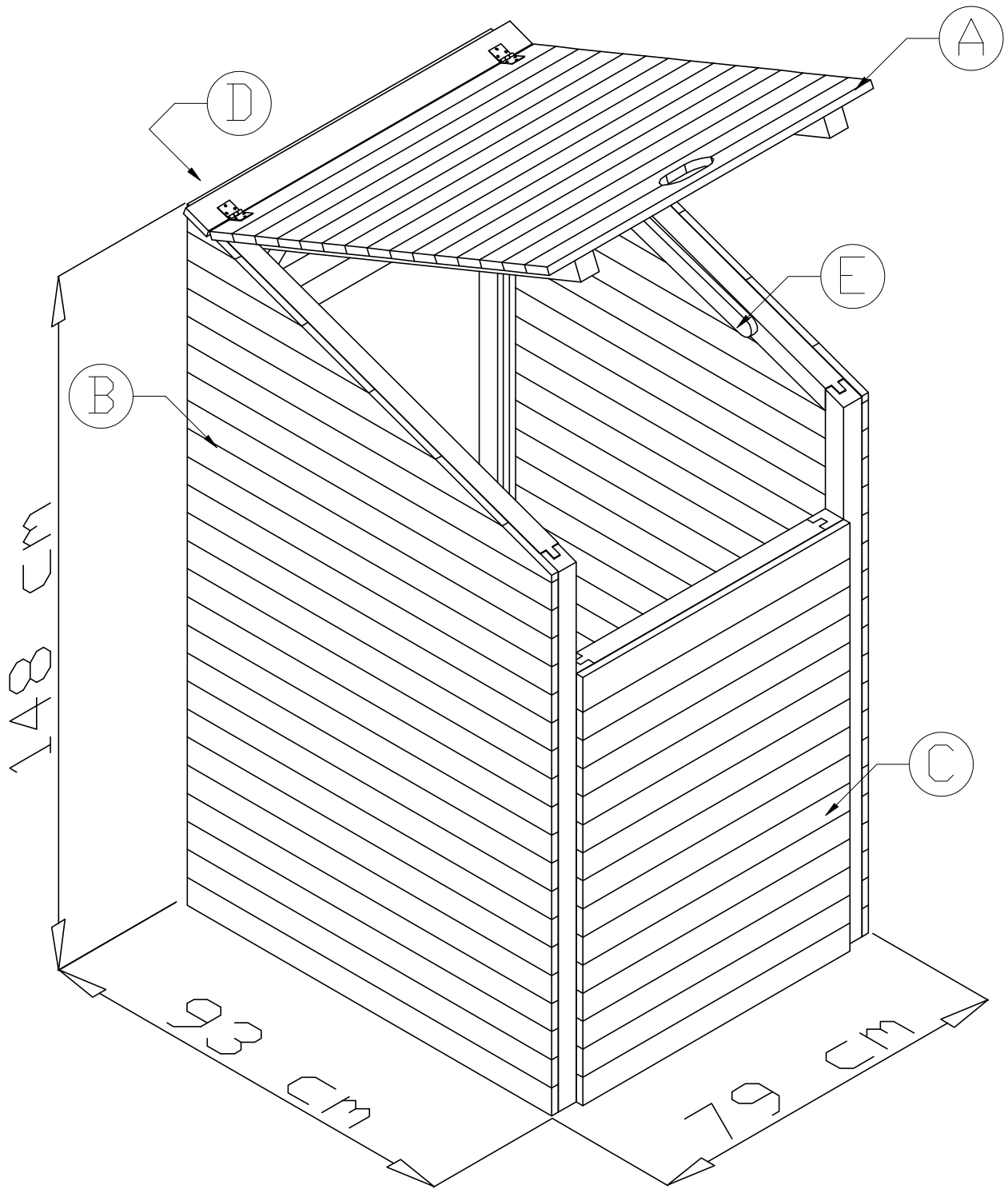


Container Storage Single



Assembling parts		
#	Element	Q.
1	Wood screw $\varnothing 4 \times 80$	8
2	Wood screw $\varnothing 3.5 \times 30$	8

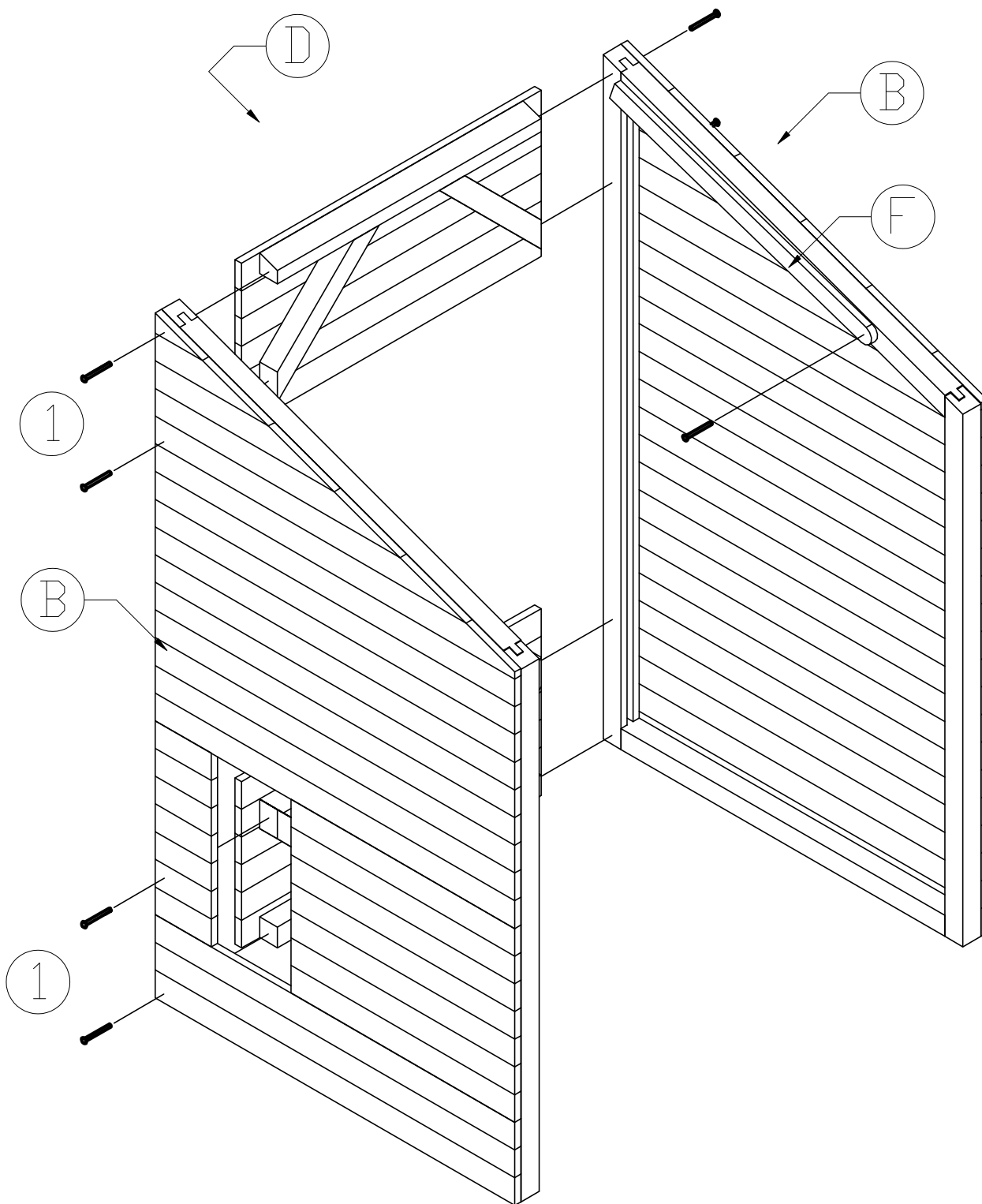
Element	Quantity	Measure [mm]
		A
B	2	1483 x 900 x 61
C	1	915 x 660 x 61
D	2	750 x 360 x 61
E	1	685 x 40 x 15

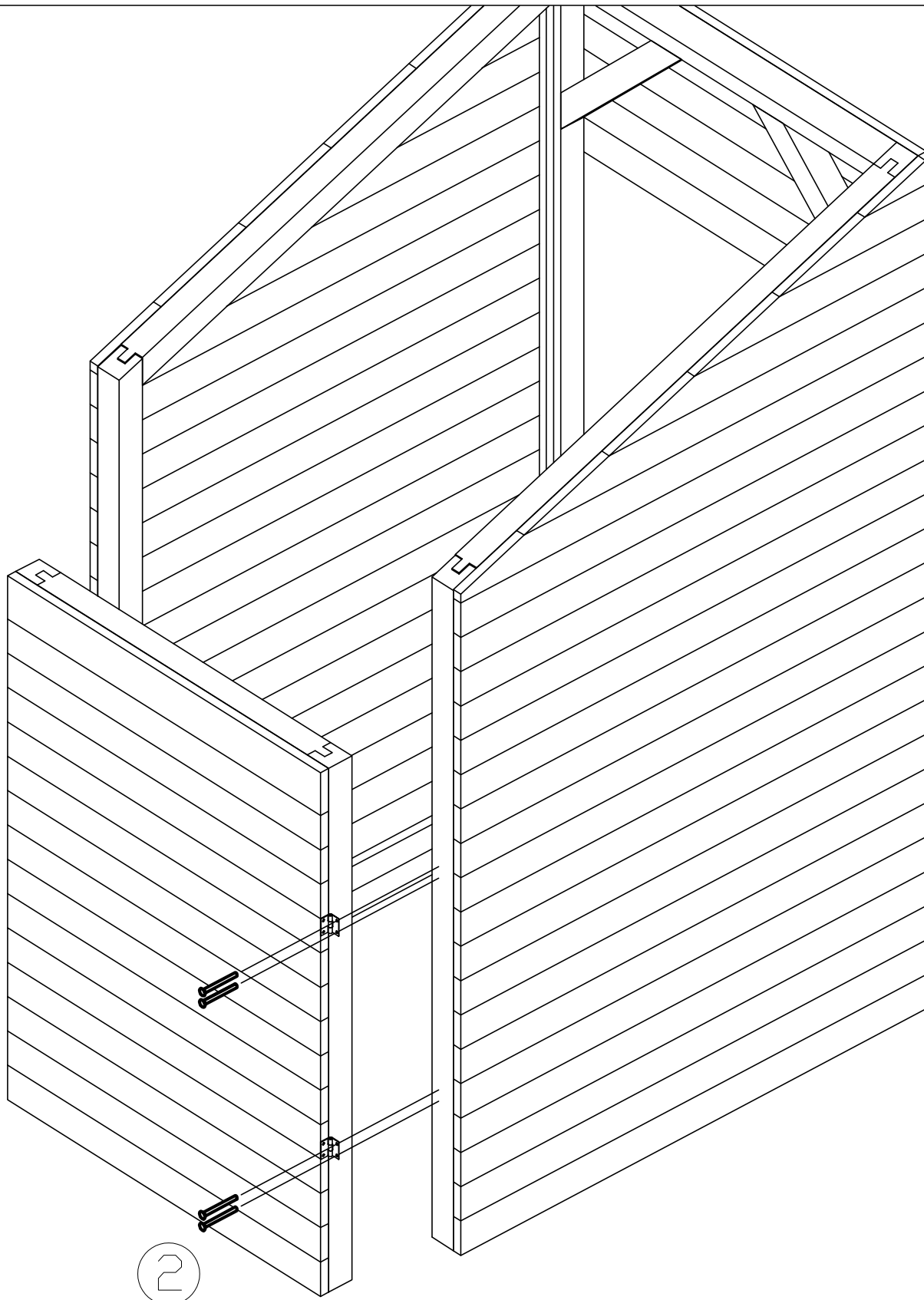
Article: Container storage single impregnated

Page: 2/11

Article nr: 29.0004





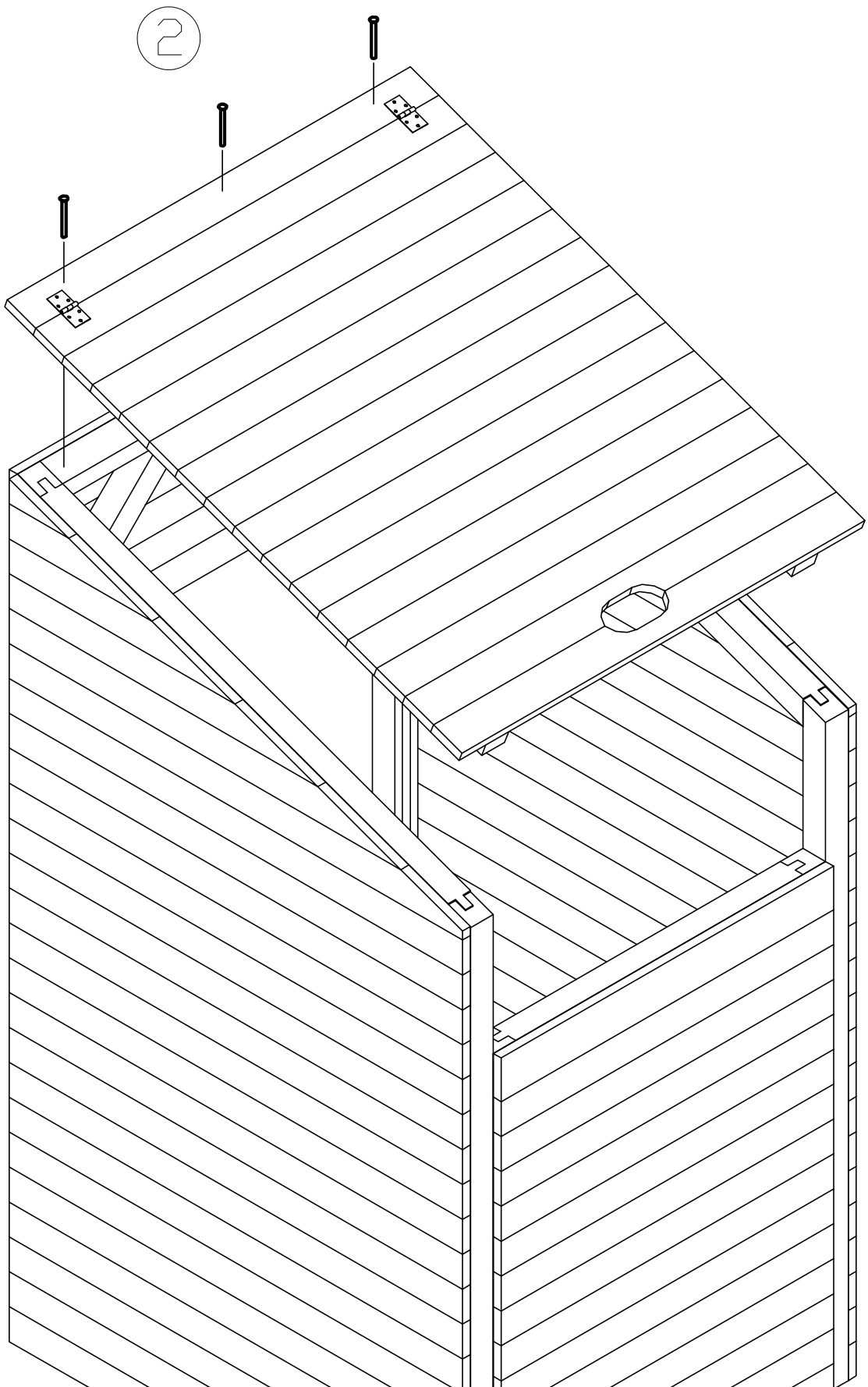


Article:
Container storage single impr. - Assemblage

Page:
4/11

Article nr:
29.0004





Article:

Container storage single impr. - Assemblage

Page:

5/11

Article nr:

29.0004

